

# NT-DRS

- Duct Mount Remote Temperature Sensor w/8" Probe
- Weatherized Case
- Compatible with NetX X7 and X5 Thermostats
- Configurable for up to 3 per Thermostat
- Simple 3-Wire Daisy Chain Connection



## GENERAL DESCRIPTION:

**The power and flexibility of the NetX Advanced Remote Sensor bus is the best in the industry.**

The Network Thermostat NT-DRS duct remote sensor is designed to sense temperature at remote locations where a stainless steel probe is required. The unit communicates with a NetX thermostat when connected via the 3-wire NetX RSBUS.

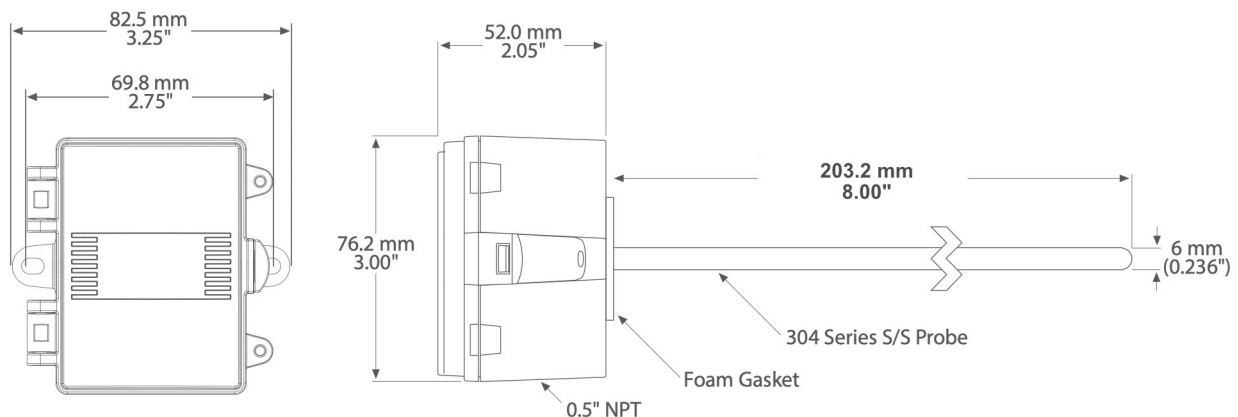
Typical applications include supply temperature, return temperature, walk-in refrigerators and walk-in freezers.

The NT-DRS sensor can be used as any one of three auxiliary temperature sensors.

## STANDARD FEATURES:



●	Multiple Configurations for Flexible Application Use
●	Up to 3 NT-DRS per X7 or X5 Thermostat
●	Built-In RSBUS Electronics
●	Weatherized Case
●	Configurable as AUX 1, AUX 2, AUX 3 – Temperature Only
●	Wide Temperature Range: -40°F to +200°F (-40°C to +93°C)



## SPECIFICATIONS:

**Rated Voltage:** 20V to 30VAC, 24VAC nominal

**Auxiliary Temp Sensor Range:** AUX1, AUX2, AUX3: -40°F to +200°F (-40°C to +93°C)

**Measurement Accuracy:** ± 1.0°F (±0.5°C)

**Terminations:** RS1 - Data, RS+V - Power, RS2 - Return,  
1 & 2 - Temperature Probe Leads (internal)  
Jumpers for Bus Loading of 1-2, 3-5, and 6+ Sensors

**Dimensions:** Case: 3.0"H x 3.25"W x 2.05"D (76.2mm x 82.5mm x 52mm)  
Probe: 8.0" (203.2mm)

**Approved Cable Types** CAT5 or CAT5e unshielded, or 1-Pair Twisted Shielded Cable with Drain and nominal capacitance of 12pF/ft or less. Use riser or plenum jacket as required by local code.

Recommended cable is W221P-2003NT.

Maximum 300ft Total Sensor Cable Length per Thermostat

## WIRING DIAGRAMS:

